



## Main Features

- Intel® Processor N50
- Small footprint in Palm size
- Pre-installed 4G memory
- Pre-installed 64G M.2 storage
- Support 1x Intel I226-V 2.5GbE LAN
- 1x HDMI, 1x RS232/422/485, 2x USB3.2
- 1x miniPCIe full size for optional wireless module
- Great value for indoor applications

## Product Overview

Neu-X60 is powered by Intel® processor N50 processor with low-power, highly efficient performance designed. Neu-X60 is ideal for edge computing application with limited space or low-power-consumption designs. It supports 1x HDMI display, 1x 2.5GbE LAN port, 2x USB3.2, and 1x RS232/RS422/RS485 interface. Also pre-installed 4GB memory and 64GB M.2 storage in system. The Neu-X60 is well-suited for applications that needs a simple but dependable controller.

The palm-sized fanless edge computing system is dedicated to digital signage, industrial controller system, IOT gateway, self-service kiosks, indoor application and retail equipment.

## Specifications

### CPU Support

- Intel® Processor N50 (up to 3.4 GHz, TDP 6W)

### Graphic

- Intel® UHD Graphics 750 MHz

### Main Memory

- 1 x SO-DIMM socket, supports up to 16GB DDR4 3200MHz, non-ECC and un-buffered memory
- Pre-installed with one 4G DDR4 memory in system

### I/O Interface-Front

- 1 x 12V DC Jack, lockable design
- 1 x HDD Active LED
- 1 x Power button with LED
- 1 x RJ45 with LED for 2.5GbE LAN
- 2 x USB3.2
- 1 x HDMI 2.0
- 1 x DB9 RS232/422/485

### I/O Interface-Rear

- 2 x Antenna hole

### Internal I/O

- 2 x 5-pin header for two USB 2.0 ports

### Expansion

- 1x Full size miniPCIe slot with nano sim slot onboard, support optional WiFi / BT/ 4G module

### Storage

- 1x M.2 Key M 2242 storage, supports both SATA & PCIe signals
- Pre-installed with one M.2 Key M 64G SSD in system

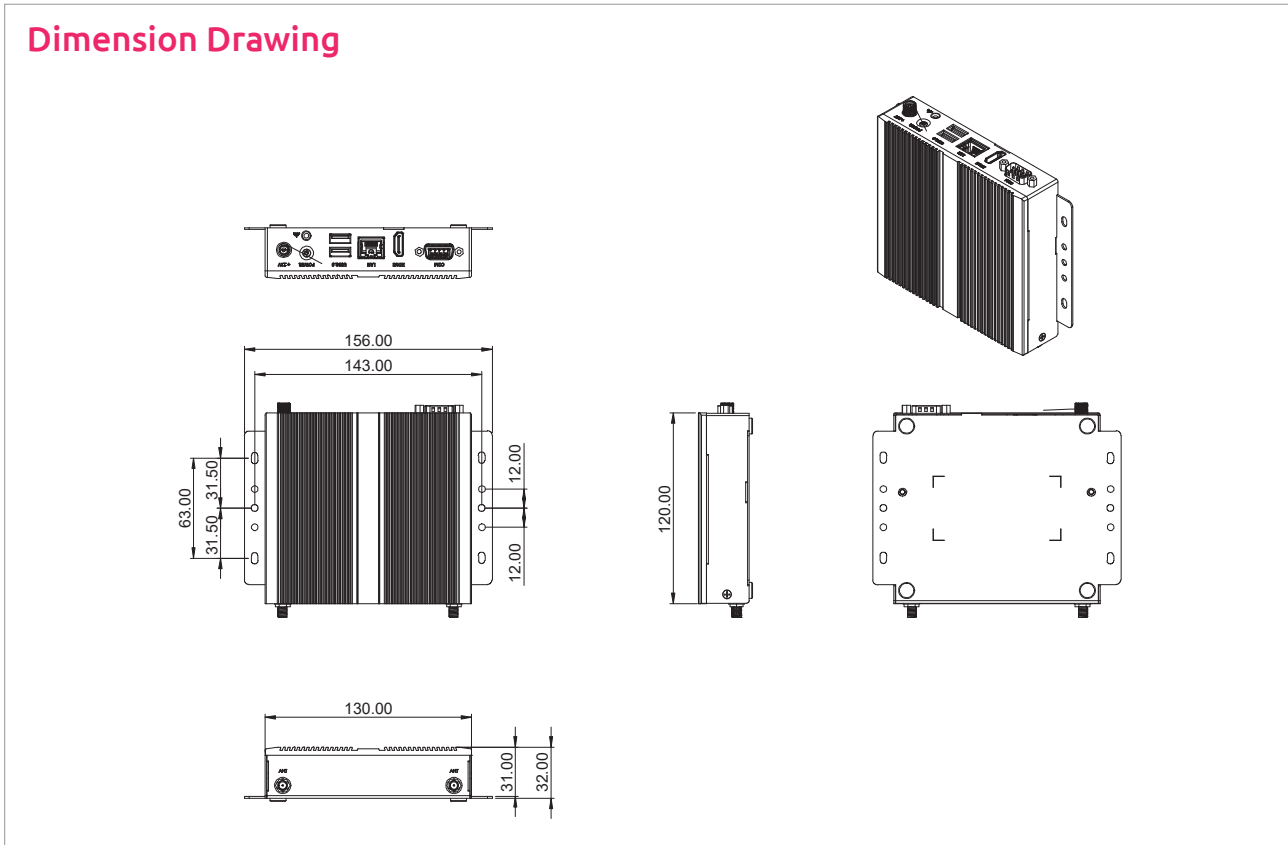
### Power Supply

- +12V DC Input
- One AC/DC 12V/5A, 50W power adapter in accessory

### Environment

- Operating temperature: 0°C to 40°C ambient with 0.7m/s air flow
- Relative humidity: 10% to 95% (non-condensing)
- Vibration protection:
  - Random: 2Grms @ 5~500 Hz, IEC60068-2-64
  - Sinusoidal: 2G @ 5~500 Hz, IEC60068-2-6

## Dimension Drawing



### Dimensions

- System dimension: 156mm (L) x 119.6mm (W) x 31mm (H) (With bracket)
- System weight: 0.0553 kg
- Package dimension: 230x215x115mm
- Package weight: 1.15Kg

### Operating System

- Win10 64-bit
- Linux 4.1

### Ordering Information

- ♦ **Neu-X60 (P/N: 10W100X6000X0)**  
Intel® N50 processor, Palm-sized Fanless Edge Computing System