

GOT110-316-PoE-PD

10.4" XGA TFT Fanless Touch Panel Computer with Intel® Celeron® Processor N3350

Features

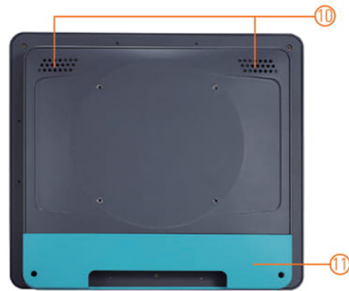
- 10.4" XGA TFT LCD display with LED backlight
- Fanless design with Intel® Celeron® processor N3350
- 1 Gbe LAN, 1 PoE PD, 4 USB and 2 COM
- IP65-rated front bezel and IPX1 rated back cover
- External AT/ATX mode selection switch
- Easy maintenance design for storage and memory
- Supports panel mount, wall mount, VESA arm and desktop stand
- Adjustable RS-232/422/485 setting via BIOS
- Aluminum cover for the better thermal dissipation and reliability



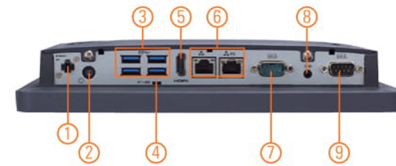
1. Power LED
2. HDD LED
3. Brightness adjust +/-
4. Display on/off
5. Volume on/off



▲ Side view



▲ Rear view



1. Remote power switch
2. Power button
3. 4 x USB 3.0
4. AT/ATX switch
5. 1 x HDMI
6. 1 x LAN
7. 1 x RS-232/422/485
8. 1 x Line-out
9. 1 x RS-232
10. Speaker
11. Optional cable cover



Introduction

The GOT110-316 is a 10.4" XGA fanless touch panel computer. In response to market demand, this panel computer is a cost effective solution. It adopts a modern, super sleek and fanless design and is equipped with the Intel® Celeron® processor N3350 dual core up to 2.40 GHz. For wireless network connection, the GOT110-316 offers two PCI Express Mini Card slots. By just plugging in the WLAN card, customers can have instant access to wireless LAN.

Super Slim Design

With a thickness of 43.5 mm, the GOT110-316 is a super slim touch panel computer for space-limited environment.

PoE Solution

GOT110-316 provides PoE solution which provides data and power to the system. This infrastructure allows to centralized power management; therefore, it is a cost-effective solution for access control, home and industrial automation.

Aluminum Back Chassis with Excellent Thermal Solution

With Axiomtek's patent for plastic plus aluminum mechanism design, the GOT110-316 can dissipate the heat easily and keep the system operation stable.

Specifications

Front Bezel	IP65, NEMA 4 rugged protection, plastic front bezel	
LCD Panel	Display Type	10.4" XGA TFT LCD with LED backlight
	Brightness (cd/m ²)	350 nits (XGA)
	Resolution	1024 x 768
	Viewing Angel (H/V)	160°/160°
Main System	CPU	Intel® Celeron® processor N3350 2 cores (turbo boost disable)
	System Memory	1 x 204-pin DDR3L-1600 SO-DIMM, up to 8GB
	BIOS	AMI UEFI BIOS
	Storage	1 x 2.5" SATA HDD (9.5 mm height) or 1 x mSATA
	Watchdog Timer	255 levels, 0 to 255 sec.
	Onboard Graphics	Integrated in Intel® GFX

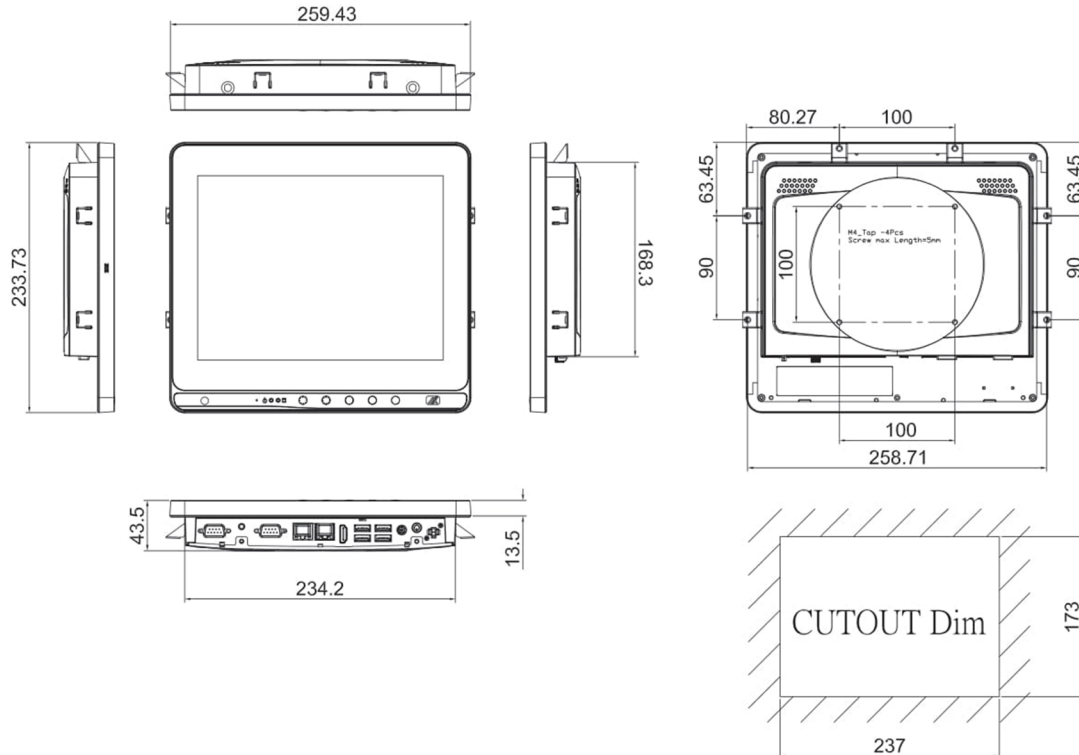
Specifications

I/O Connector	1 x RS-232/422/485 (default RS-232) 1 x RS-232 1 x 10/100/1000 Mbps Ethernet 1 x PoE PD 4 x USB 3.0 1 x Power button (ATX) 1 x Remote power switch 1 x Audio (Line-out) 1 x ATX/AT selectable switch 1 x HDMI
Expansion Interface	1 x Full-size PCI Express Mini Card slot with mSATA 1 x Full-size PCI Express Mini Card slot with SIM
Touchscreen	Projected capacitive multi-touch 5-wire flat resistive touch
Power Supply	Power Device (PD): follows IEEE 802.3at (25.5W)
Power Consumption	25.5W
Dimensions	259.43 mm (10.21") (W) x 43.5 mm (1.71") (D) x 232.73 mm (9.16") (H)
Packing Dimensions	415 mm (16.34") (W) x 100 mm (3.94") (D) x 315 mm (12.4") (H)
Weight (net/gross)	1.8 kg (3.96 lb)/3 kg (6.61 lb)
Operating Temperature	0°C to +50°C (+32°F to +122°F)
Relative Humidity	20% to 90% @ +40°C, non-condensing
Operation Vibration	2G, 5 - 500Hz, random for SSD
Certifications	CE, FCC

Packing List

1 x GOT110-316 PoE-PD
1 x Driver DVD

Dimensions



Ordering Information

Standard	
GOT110-316-R-PoE-PD (P/N: E22B110109)	10.4" XGA TFT cost-effective fanless touch panel computer with Intel® N3350 processor onboard, resistive touch and PoE PD power input
GOT110-316-PCT-PoE-PD (P/N: E22B110108)	10.4" XGA TFT cost-effective fanless touch panel computer with Intel® N3350 processor onboard, projected capacitive multi-touch screen and PoE PD power input

* Other configuration by request

* Specification and certifications may vary based on different requirements

Optional Accessories

External Wi-Fi + Bluetooth kit**

RFID kit

8812B1101A0E Panel mount kit

8812B1100A0E Wall mount kit

E226171119 Stand kit

** Standard Wi-Fi kit does not support panel mount.

Optional OS Installation

Windows® 10