

# R19IK3S-SPM169-P, 19-inch Stainless P-Series Panel PC

## Stainless IP69K with Waterproof Conduit Solutions

Winmate provides 19-inch IP69K Stainless Steel Panel PC with the high performance Intel Core i5-7200U Kaby Lake processor and a waterproof conduit pipe for added cable protection. The IP69K series is built to withstand extensive wash downs with corrosion resistance against cleaning agents, especially against close-range high-pressure, high temperature wash downs. The level of protection allows for easy cleaning and sterilization using water with temperatures of up to 80°C and pressure of up to 30 Bar. A custom-built waterproof conduit pipe was also provided for the customer with a cover plate, allowing for an additional layer of protection for the panel pc cables.



\* Yoke mount Stand kit is an option. accessory.

### Highlights

- Intel® Core™ i5-7200U, 2.50 GHz
- Fanless cooling system
- SUS316 / AISI 316 stainless steel for food and chemical industries
- Full IP69K waterproof enclosure, good corrosion resistance
- A true flat, easy-to-clean front surface with edge-to-edge design
- Waterproof sealed conduit pipe for cable protection
- Supports VESA mount, Panel mount and optional Yoke mount stand

# R19IK3S-SPM169-P, 19-inch Stainless P-Series Panel PC

Stainless IP69K with Waterproof Conduit Solutions

## Display Specification

Size	19"
Resolution	1280 x 1024
Contrast Ratio	1000:1
Brightness	250 nits
Viewing Angle	-85~85 (H); -80~80(V)
Max Colors	16.7M
Touch	Projected Capacitive Multi-Touch (P-CAP) Anti-glare coating (Optional)

## System Specification

CPU	Intel® Core i5-7200U 2.5GHz
System Chipset	Intel® SoC Integrated
System Memory	4GB DDR4 2133 (Optional up to 16GB)
Storage	64GB B-key M.2 2242 (Optional up to 512GB)
BIOS	Insyde BIOS
Audio	Realtek HD Audio Codec
LAN Chip	Intel® Gigabit-LAN Controller I211AT + PHY I219LM
Operating System	Windows 10 IoT Enterprise (Optional) Ubuntu 18.04 (Optional)
WLAN	802.11 a/b/g/n/ac (Optional)

## Interface

Ethernet	2 x RJ 45-10/100/1000 Mbps
Serial Ports	1 x RS-232/422/485
USB Ports	2 x USB 3.0
Power Input	1 x 3 pin Terminal Block
HDMI	1 x HDMI 1.4 output (Optional)

## Keyboard and Input

Physical Buttons	Power
Touch	P-Cap

## Power Management

Power Input	12V DC input with AC to DC Adapter Optional 9~36V DC input with 3 pin phoenix connector
Power Consumption	59W (typ.)(Max.backlight and high CPU load)
AC Adapter	100~240V AC to 12V DC Adapter

## Mechanical Specifications

Dimensions	445 x 370 x 56mm
Cutout	427 x 352mm
Cooling System	Fanless design
Housing	SUS 316/ AISI 316 stainless steel
Mounting	VESA Mount (100x100mm), Panel mount, optional Yoke mount stand

## Environment

Operating Temperature	0 °C to 45 °C
Storage Temperature	-10 °C to 60 °C
Operating Humidity	10% to 95% (non condensing)
IP Rating	IP69K

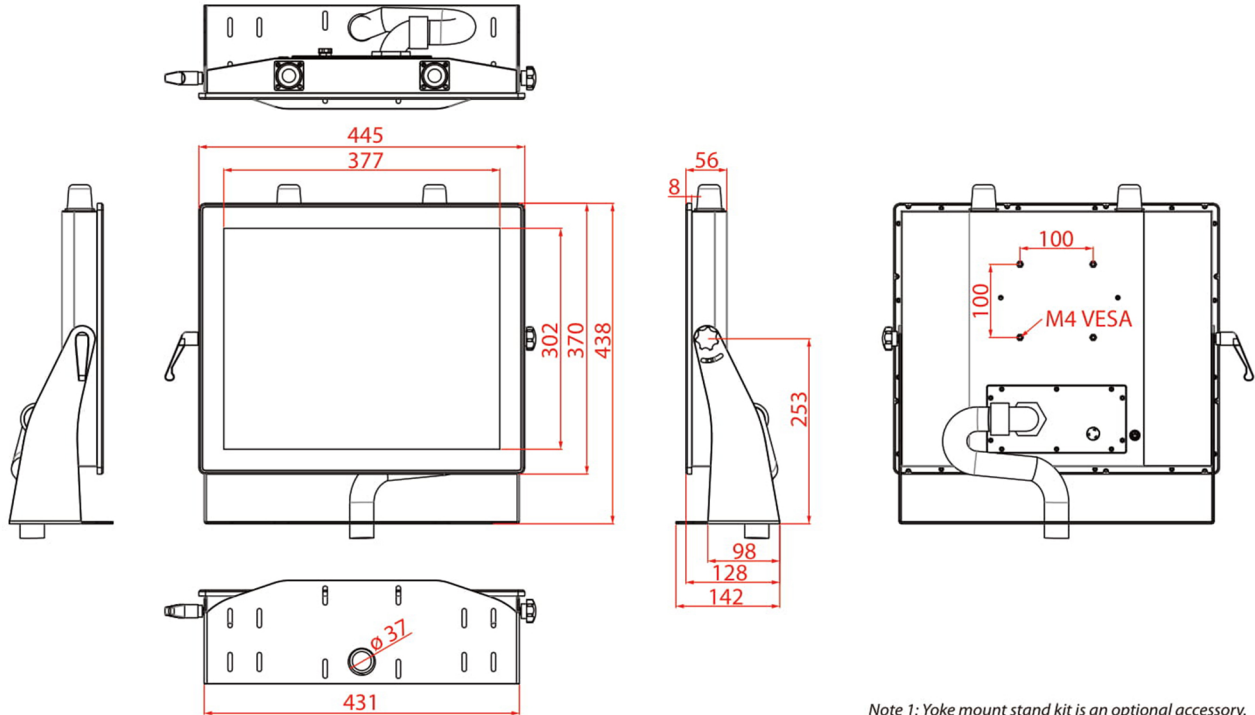
## Standards and Certification

EMC	CE, FCC
-----	---------

## Accessories

- 1 x Waterproof Conduit 1.5m
- 2 x Elbow for connect the conduit
- 1 x AC to DC power adapter with power cord
- Yoke mount stand kit (Optional)
- Open wire cable for phoenix connector (Default for 9~36V DC input sku)
- D-sub to RJ45 Adaptor for COM Port

## Drawing



Note 1: Yoke mount stand kit is an optional accessory.  
Note 2: Wi-Fi antenna is an optional feature.

# R19IK3S-SPM169-P, 19-inch Stainless P-Series Panel PC

Stainless IP69K with Waterproof Conduit Solutions

## Accessories

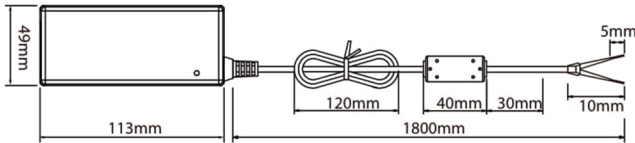
### Waterproof Conduit 1.5m



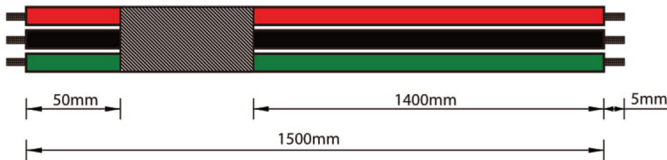
### Elbow for connect the conduit



### AC to DC power adapter

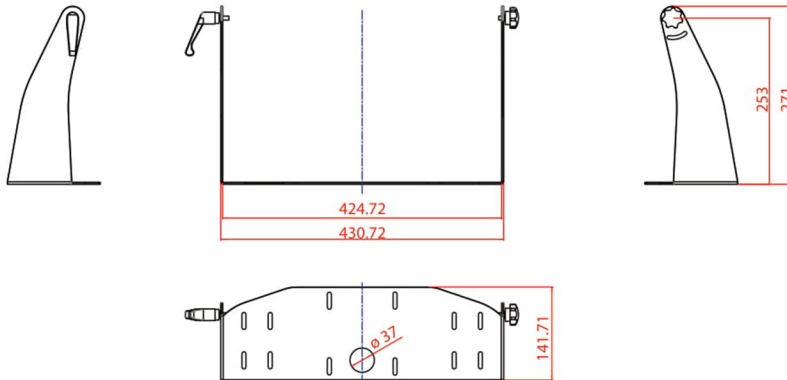


### Open wire cable for phoenix connector (Default for 9~36V DC input sku)



Pin No.	Symbols	Color	Pin No.	Symbols	Color
1	↔	Red	1	↔	Red
2	↔	Black	2	↔	Black
3	↔	Green	3	↔	Green

### Yoke mount Stand kit (Optional)



### D-sub to RJ45 Adaptor

