

15" Marine Bridge System Display

Model # R15L100-MRC3HB

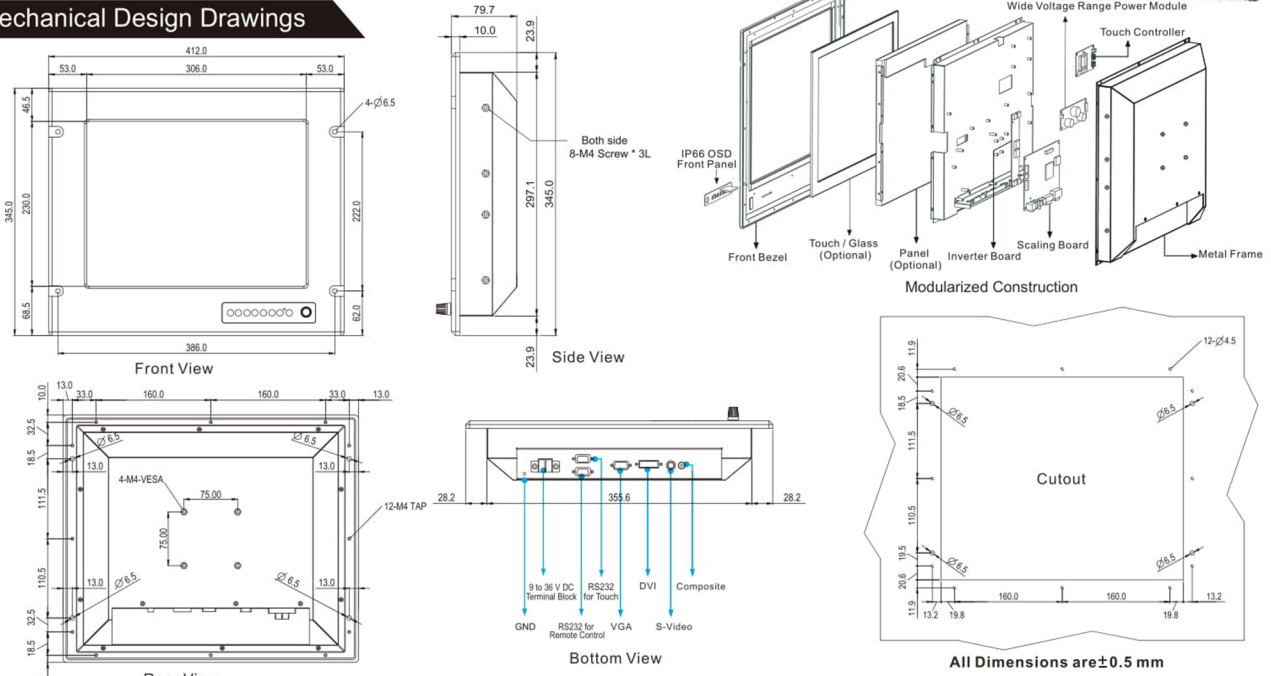


Features:

- Hyper Dimming : Dimming knob control backlight brightness from nearly 0% to 100%
- High Brightness LCD Panel : High brightness TFT-LCD panel enhance the best visibility
- Ruggedized IP65 Proof : Panel (flush) mount with IP66 aluminum housing design (IP54 rear)
- Wide Voltage Range Input : 9 to 36V DC to DC power input acceptable (AC power for option)
- Touchscreen/ Protection Glass : High quality touchscreen / AR protection glass for option
- Multiscan Function : PIP (picture in picture) function and multi-video inputs
- IP65 OSD Front Panel Design : Ease of use front panel OSD control
- Anti-Shock and Vibration : Enhanced shock and vibration resistance



Mechanical Design Drawings



★ Note: this is a simplified drawing and some components are not marked in detail. Please contact our sales representative if you need further product information.

TFT Characteristics:

Pixel Number	: 1024 x 768
Pixel Pitch(RGB)	: 0.297 (H) x 0.297 (V) mm
Contrast Ratio	: 700:1 (typ.)
Panel Brightness	: 1000 cd/m ² (typ.)
Viewable Angles	: -80~80(H); -70~70(V)
Active Display Area	: 304.1 (H) x 228.1 (V) mm
Max Colors	: 16.2M (8bit/colors)

Input Signals:

RGB Signal	: D-SUB 15P connector(female)
Composite Video	: RCA phono plug
S-Video Signal	: S-Video (SVHS) plug
DVI-D Signal	: DVI-D input 24pin connector
DC Power Signal	: Screw terminal block
AC Power Signal (Optional)	: Std IEC Inlet
Touch Screen (Optional)	: D-SUB 9P connector (female)
Remote via RS-232 (Optional)	: D-SUB 9P connector (female)

User Controls:

Power On/Off via front button
VR Brightness Knob Control
Power Mode Status LED
On Screen Display control(OSD)
OSD Remote Control via RS-232

Power Specifications:

Power Supply Options	: 9 to 36 V DC power supply with Terminal block (Default),
Power Consumption	: 40 W typical, normal operation

Mechanical and Environmental:

Mechanical Mounting	: Panel (Flush) mount with IP66*, VESA, Bracket mounting
Operating Temperature	: -10 to 55 deg.C (-20 to 60 deg.C for optional heating)
Operating Humidity	: 5% to 95% (non condensing)
Anti-Vibration	: 5Hz~500Hz / 1Grms/3 Axis
Anti-Shock	: 15G, 11ms duration
* SAW touch for IP54	

Available Options:

Touch Screen Options	: SAW, 5 Wire Resistive
AR Safety Glass Options	: 3mm Anti-reflective protection glass
Bracket Mounting Options	: Yes (One robust bracket can adjust from -10 to 30 deg.)

Certification and Approvals : CE, FCC



Note: All Specifications are subject to change without prior notice!

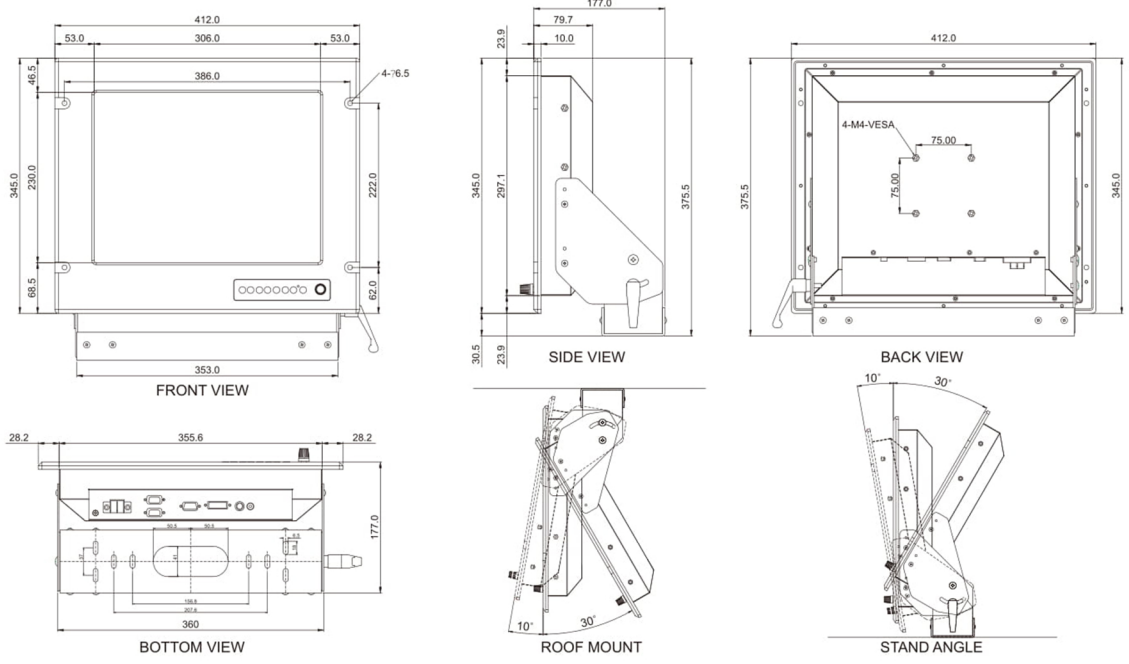
Revised Date : 18-Nov-2019 V1.2



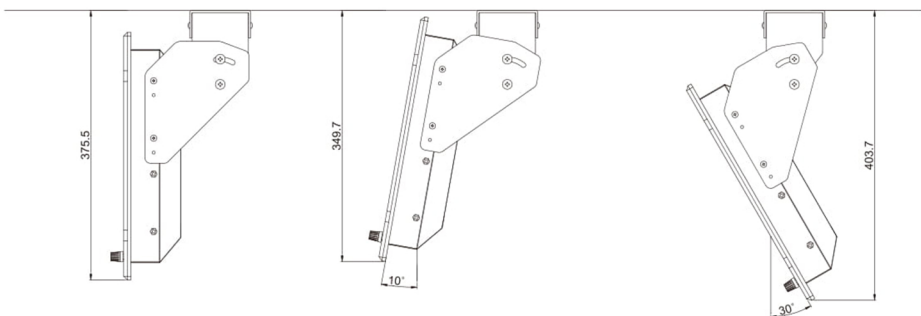
15" Marine Bridge System Display

Model # R15L100-MRC3HB

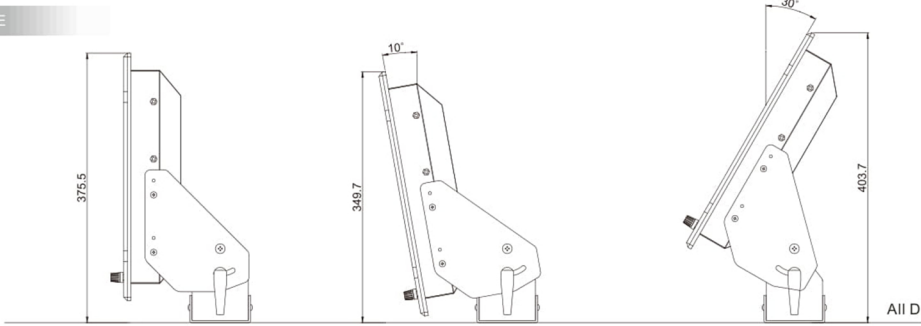
Mechanical Design with Robust Bracket (options)



ROOF MOUNT



STAND ANGLE



All Dimensions are ±0.5 mm

* Note: this is a simplified drawing and some components are not marked in detail. Please contact our sales representative if you need further product information.

Certification and Approvals : CE, FCC



* Extra charge is required for back covers with bracket holes for products purchased before end of Nov. 08'

Note: All Specifications are subject to change without prior notice! Revised Date : 18-Nov-2019 V1.2