

# R15IK3S-SPC369-P, 15-inch Stainless P-Series Panel PC

## Stainless IP69K with Waterproof Conduit Solutions

Winmate provides 15-inch IP69K Stainless Steel Panel PC with the high performance Intel Core i5-7200U Kaby Lake processor and a waterproof conduit pipe for added cable protection. The IP69K series is built to withstand extensive wash downs with corrosion resistance against cleaning agents, especially against close-range high-pressure, high temperature wash downs. The level of protection allows for easy cleaning and sterilization using water with temperatures of up to 80°C and pressure of up to 30 Bar. A custom-built waterproof conduit pipe was also provided for the customer with a cover plate, allowing for an additional layer of protection for the panel pc cables.



\* Yoke mount Stand kit is an option. accessory.

### Highlights

- Intel® Core™ i5-7200U, 2.50 GHz
- Fanless cooling system
- SUS316 / AISI 316 stainless steel for food and chemical industries
- Full IP69K waterproof enclosure, good corrosion resistance
- A true flat, easy-to-clean front surface with edge-to-edge design
- Waterproof sealed conduit pipe for cable protection
- Supports VESA mount, Panel mount and optional Yoke mount stand

# R15IK3S-SPC369-P, 15-inch Stainless P-Series Panel PC

Stainless IP69K with Waterproof Conduit Solutions

## Display Specification

|                |   |
|----------------|---|
| Size           | 15"   |
| Resolution     | 1024 x 768  |
| Contrast Ratio | 2000:1  |
| Brightness     | 300 nits  |
| Viewing Angle  | -88~88 (H); -88~88(V)   |
| Max Colors     | 16.2M   |
| Touch          | Projected Capacitive Multi-Touch (P-CAP)<br>Anti-glare coating (Optional) |

## System Specification

|                  |   |
|------------------|---|
| CPU              | Intel® Core i5-7200U 2.5GHz                                     |
| System Chipset   | Intel® SoC Integrated   |
| System Memory    | 4GB DDR4 2133<br>(Optional up to 16GB)                          |
| Storage          | 64GB B-key M.2 2242<br>(Optional up to 512GB)                   |
| BIOS             | Insyde BIOS   |
| Audio            | Realtek HD Audio Codec  |
| LAN Chip         | Intel® Gigabit-LAN Controller I211AT + PHY I219LM               |
| Operating System | Windows 10 IoT Enterprise (Optional)<br>Ubuntu 18.04 (Optional) |
| WLAN             | 802.11 a/b/g/n/ac (Optional)                                    |

## Interface

|              |                                |
|--------------|--------------------------------|
| Ethernet     | 2 x RJ 45-10/100/1000 Mbps     |
| Serial Ports | 1 x RS-232/422/485             |
| USB Ports    | 2 x USB 3.0                    |
| Power Input  | 1 x 3 pin Terminal Block       |
| HDMI         | 1 x HDMI 1.4 output (Optional) |

## Keyboard and Input

|                  |       |
|------------------|-------|
| Physical Buttons | Power |
| Touch            | P-Cap |

## Power Management

|                   |  |
|-------------------|--|
| Power Input       | 12V DC input with AC to DC Adapter<br>Optional 9~36V DC input with 3 pin phoenix connector |
| Power Consumption | 53W (typ.) (Max. backlight and high CPU load)  |
| AC Adapter        | 100~240V AC to 12V DC Adapter  |

## Mechanical Specifications

|                |   |
|----------------|---|
| Dimensions     | 356 x 280 x 56mm  |
| Cutout         | 338 x 262mm   |
| Cooling System | Fanless design  |
| Housing        | SUS 316/ AISI 316 stainless steel                                 |
| Mounting       | VESA Mount (100x100mm), Panel mount,<br>optional Yoke mount stand |

## Environment

|                       |                             |
|-----------------------|-----------------------------|
| Operating Temperature | 0 °C to 45 °C               |
| Storage Temperature   | -10 °C to 60 °C             |
| Operating Humidity    | 10% to 95% (non condensing) |
| IP Rating             | IP69K                       |

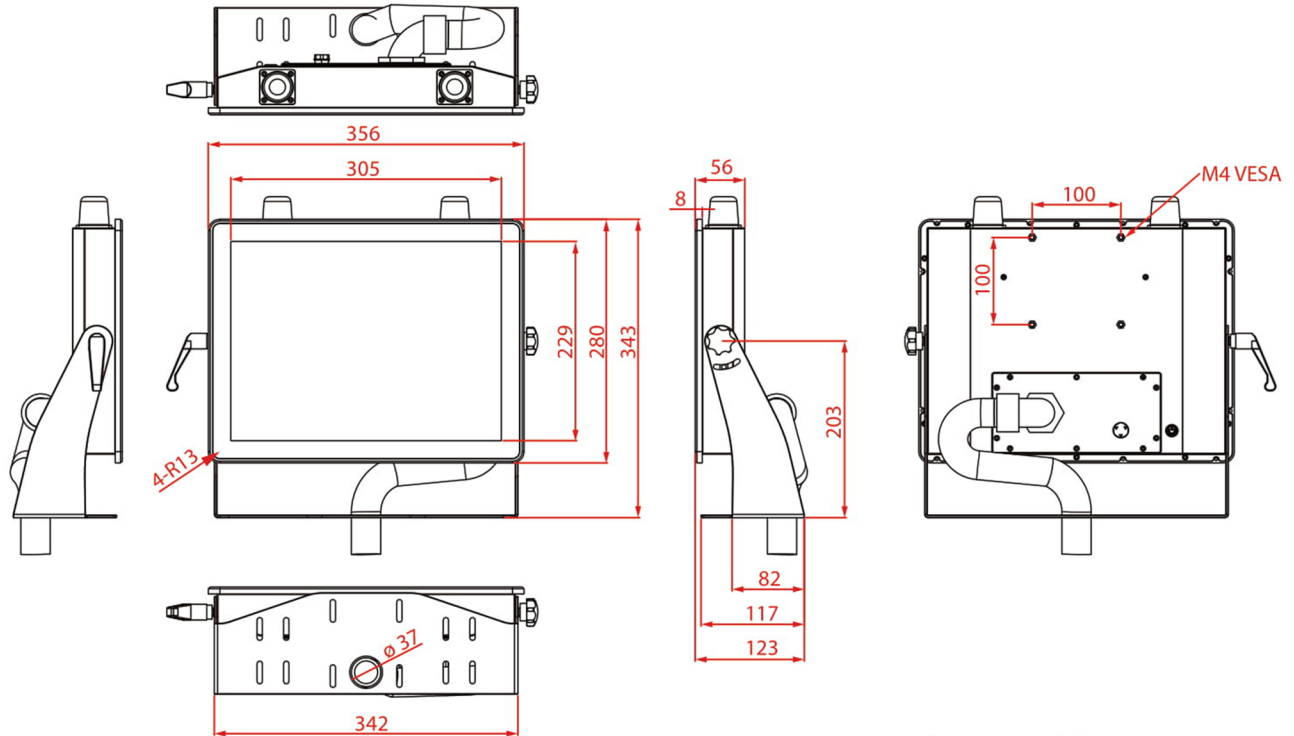
## Standards and Certification

|     |         |
|-----|---------|
| EMC | CE, FCC |
|-----|---------|

## Accessories

- 1 x Waterproof Conduit 1.5m
- 2 x Elbow for connect the conduit
- 1 x AC to DC power adapter with power cord
- Yoke mount stand kit (Optional)
- Open wire cable for phoenix connector (Default for 9~36V DC input sku)
- D-sub to RJ45 Adaptor for COM Port

## Drawing



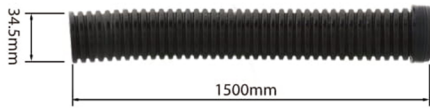
Note 1: Yoke mount stand kit is an optional accessory.  
Note 2: Wi-Fi antenna is an optional feature.

# R15IK3S-SPC369-P, 15-inch Stainless P-Series Panel PC

Stainless IP69K with Waterproof Conduit Solutions

## Accessories

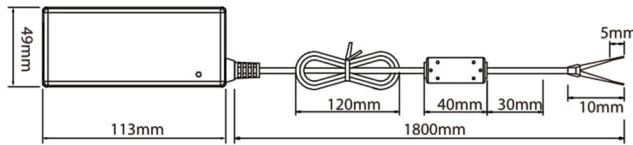
### Waterproof Conduit 1.5m



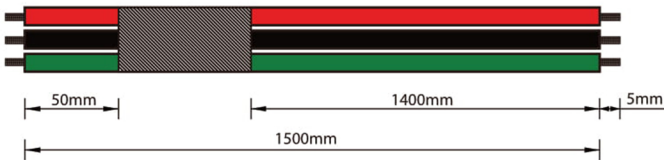
### Elbow for connect the conduit



### AC to DC power adapter

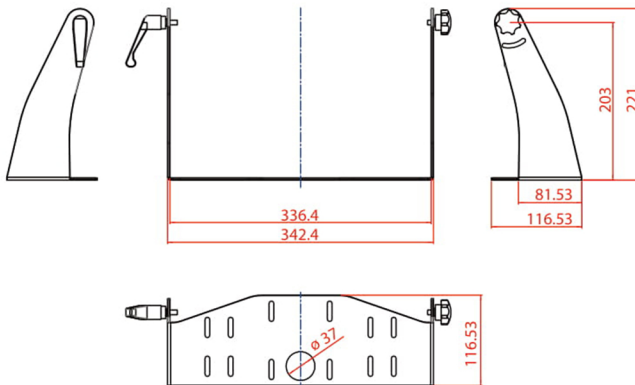


### Open wire cable for phoenix connector (Default for 9~36V DC input sku)



| Pin No. | Symbols | Color | Pin No. | Symbols | Color |
|---------|---------|-------|---------|---------|-------|
|         |         | Red   |         |         | Red   |
|         |         | Black |         |         | Black |
|         |         | Green |         |         | Green |

### Yoke mount Stand kit (Optional)



### D-sub to RJ45 Adaptor

