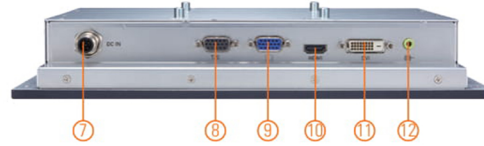


P6125

12.1" XGA TFT LCD Railway Touchscreen Monitor (-25°C to +55°C)

Features

- EN 50155 compliant monitor for railway application
- 12.1" high brightness XGA TFT touchscreen LCD
- Wide viewing angle and high brightness 800 nits
- VGA, DVI-D and HDMI with multiple video inputs
- Light sensor for auto-dimming
- 24 to 110 VDC power input
- -25°C to +55°C wide temperature range
- Supports 5 OSD keys on the front panel



Introduction

The EN 50155 compliant railway touchscreen monitor P6125 adopts a 12.1inch XGA TFT LCD with 800 nits of brightness and a 5-wire resistive touchscreen with IP65-rated aluminum front bezel to provide protection of liquid damage and user friendly control interface.

Wide Temperature (-25°C to +55°C)

The EN50155 compliant railway touchscreen monitor supports a wide temperature range from -25°C to +55°C. Its fanless cooling system and super compact designs are suited for rolling stock applications as well as other harsh environments.

High Brightness 800 nits with Wide Viewing Angle

The railway grade P6125 adopts a high brightness of 800 nits 12.1-inch LCD with sunlight readable technology. The screen is legible even under strong sunlight and is readable under skies outdoor in parking lots and more. Additionally, with its wide viewing angle feature, users won't miss any information.

Anti-vibration for Railway

With an anti-vibration design and complied to EN 50155, EN 61373 Cat. 1 Class B, the Axiomtek rugged 12.1" railway touchscreen monitor can work perfectly on the train.

Specifications

Front Bezel	NEMA 4/12 (IP65)-compliant, metal front bezel	
LCD Panel	Display Type	12.1" TFT LCD
	Max. Resolution	1024 x 768
	Max. Colors	16.2M/262k
	Active Area (mm)	210.4 (H) x 157.8 (V)
	Pixel Pitch (mm)	0.0685 (H) x 0.2055 (V)
	Response Time	25ms
	Backlight	LED
	Backlight MTBF	50,000 hrs
	Viewing Angle (H/V)	176°/176°
	Contrast Ratio	1000 (TYP.)
Brightness (cd/m ²)	800 nits	
Display Control	OSD (on screen display)	
Display Mode	VGA 640 x 480 (60/72 Hz)	
	SVGA 800 x 600 (60/72 Hz)	
	XGA 1024 x 768 (60/72 Hz)	
Input Signal	VGA	
	HDMI	
	DVI-D	
	RS-232 for touchscreen and IR remote control	

* All specifications and photos are subject to change without notice.

Specifications

I/O Connectors	1 x RS-232 for touchscreen and remote control 1 x HDMI 1 x DVI-D 1 x M12 DC-in 1 x VGA 1 x Line-in
Power Supply	24 to 110 VDC power input
Power Consumption	33W
Touchscreen	Thickness Resistive: 2.2 mm Light Transmission Resistive: 80% Power Consumption Resistive: +5V @ 100mA Touch Life Resistive: 35 million touches Controller Interface: RS-232 D-type 9-pin male connector
Dimensions	330 mm (12.99") (W) x 57 mm (2.24") (D) x 245 mm (9.65") (H)
Packing Dimensions	510 mm (20.08") (W) x 186 mm (7.32") (W) x 532 mm (20.94") (H)
Weight (net/gross)	2.2 kg (4.85 lb)/3.45 kg (7.61 lb)
Operating Temperature	-25°C to +55°C (-13°F to +131°F)
Relative Humidity	20% to 90% @ +40°C, non-condensing
Certifications	CE, EN 50155, EN 45545 compliance

Packing List

1 x P6125 unit
1 x VGA cable
1 x RS-232 cable (for resistive touch)

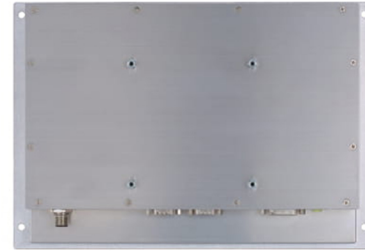
Ordering Information

P6125PR (P/N: E226125100)	12.1" XGA LCD railway touchscreen monitor with 24 to 110 VDC power input
------------------------------	--------------------------------------------------------------------------

*Specifications and certifications may vary based on different requirements.

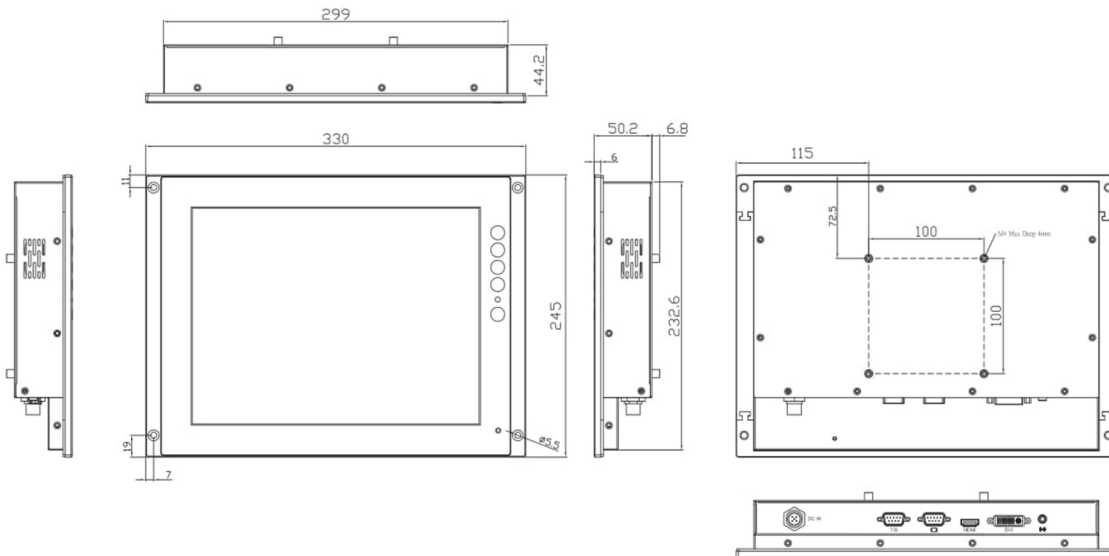
Optional Accessories

5946L203800E	HDMI cable
59461713400E	DVI cable



▲ Raer view

Dimensions



* All specifications and photos are subject to change without notice.