

# MPC240

24" FHD TFT Medical Grade Panel Computer with 4th Gen Intel® Core™ i7/i5/i3, Celeron® & Pentium® Mobile Processor

## Features

- 24" FHD TFT LCD display with LED backlight
- Socket G3 4th gen Intel® Core™ i7/i5/i3, Celeron® & Pentium® mobile processors
- EN 60601-1 and CE certified
- Spill-proof front panel design
- 10-point multi-touch screen
- Antimicrobial enclosure
- Ultra slim and super lightweight design
- Supports wall mount, VESA arm and desktop stand



- |                       |                  |                     |
|-----------------------|------------------|---------------------|
| 1. Camera             | 6. 4 x USB 3.0   | 11. Earphone jack   |
| 2. Optical disc drive | 7. 1 x LAN       | 12. Microphone jack |
| 3. Cable tie slot     | 8. 1 x HDMI      | 13. Card reader     |
| 4. DC-in jack         | 9. Speakers      |                     |
| 5. 4 x USB 2.0        | 10. Power button |                     |



## Introduction

The MPC240 is an 24-inch medical grade touch panel computer which is designed for applications like medical image processing and medical measuring instrument. Especially designed for the medical & healthcare environment, the 10-point touchscreen medical panel PC has spill-proof front panel design which protects the entire system from outside liquid, preventing system from crashing.

### Super Slim & Ultra Lightweight Design

With a thickness of 35.5 mm and weight of 6.2 kg, the MPC240 is designed for use in space-constrained environments. Besides, it provides medical grade AC power adapter.

### Built-in Internal WLAN

The stylish MPC240 has a PCI Express Mini Card slot and a built-in WLAN antenna for wireless network connections. By simply plugging in the wireless LAN card, customers can use the 24-inch medical computer in a wireless LAN/GPRS/GSM/4G environment.

### Certifications

This 24" multi-touch medical panel platform complies with EN 60601 and CE to ensure medical operation safety.

## Specifications

Front Bezel	Spill-proof	
LCD Panel	Display Type	24" FHD TFT LCD with LED backlight
	Brightness (cd/m <sup>2</sup> )	250 nits
	Resolution	1920 x 1080
Main System	CPU	Socket G3 4th gen Intel® Core™ i7/i5/i3 & Celeron®, Pentium® mobile processors
	System Memory	2 x 204-pin DDR3L-1600 SO-DIMM, up to 16GB, 8GB for each socket
	BIOS	AMI BIOS
	Storage	1 x 2.5" SATA HDD (9.5 mm height) 1 x M.2-2242 SATA SSD
	Optical Drive	1 x Super multi-drive (optional)
	Watchdog Timer	255 levels, 0 to 255 sec.
	Onboard Graphics	Integrated in Intel® GFX

\* All specifications and photos are subject to change without notice.

## Specifications

I/O Connector	4 x USB 3.0 4 x USB 2.0 1 x Audio (Line-out & Mic-in) 1 x 10/100/1000 Mbps Ethernet 1 x DC-in jack 1 x HDMI
Expansion Interface	1 x SDXC card reader slot 1 x PCI Express Mini Card slot for Wi-Fi
Audio	2 x 1.5 KHz speaker/70dB 1 x Microphone
Camera	1 x 2M pixels webcam
Sensor	1 x Proximity sensor
Touch Screen	Projected capacitive multi-touch 10-point
Power Supply	100 to 240 V, 135 W medical grade power adapter Built-in UPS battery (optional)
Dimensions	610 mm (24.01") (W) x 35.5 mm (1.40") (D) x 415 mm (16.34") (H)
Packing Dimensions	780 mm (30.71") (W) x 160 mm (6.30") (D) x 530 mm (20.87") (H)
Weight(net/gross)	6.2 kg (13.66 lb)/9 kg (19.84 lb)
Operating Temperature	+5°C to +40°C (+13°F to +104°F)
Relative Humidity	10% to 90% @ +40°C; non-condensing
Certifications	CE, EN 60601-1

## Packing List

- 1 x MPC240
- 1 x Driver CD
- 1 x Adapter
- 1 x EU power cord

## Ordering Information

<b>Standard</b>	
MPC240	24" FHD medical touch panel computer with Intel® Core™ processor, projected capacitive multi-touch screen, AC-DC 135 W medical grade power adapter (screw type connector), EMI class B and EN 60601-1 certified

## Optional Accessories

Wi-Fi + Bluetooth kit

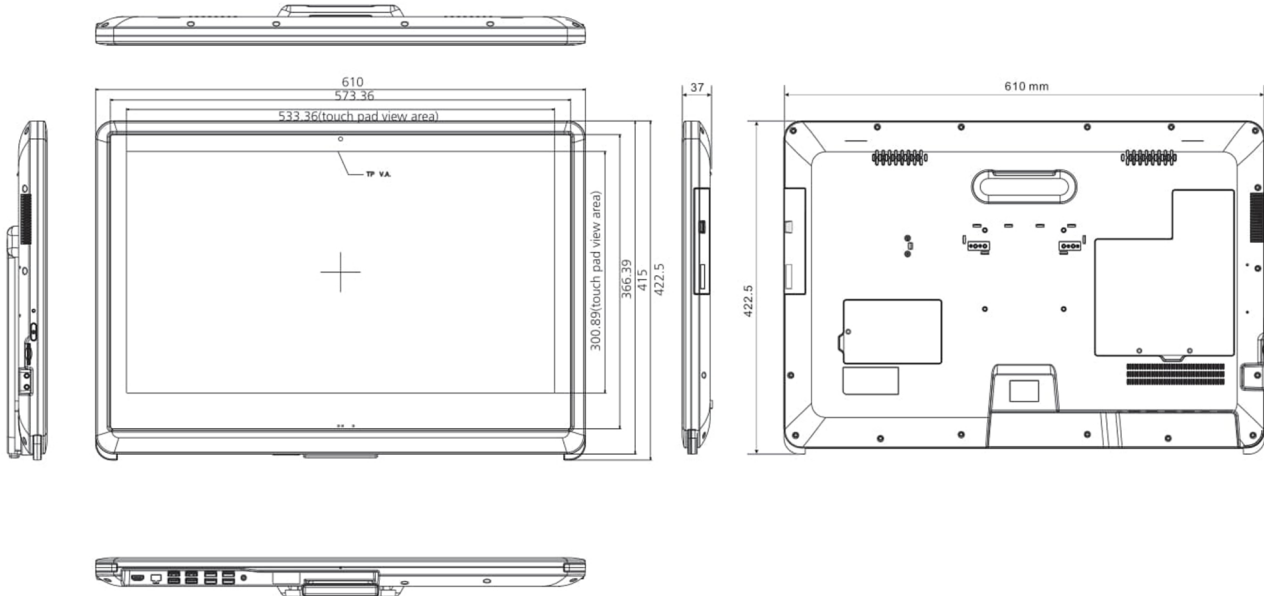
\*Specifications and certifications may vary based on different requirements.

## Optional OS Installation

Windows® 7

Windows® 8.1

## Dimensions



\* All specifications and photos are subject to change without notice.