

FM10Q, 10.4-inch Vehicle Mounted Computer

A Rugged Vehicle Mounted Computer for Data Collection in Warehouse and Logistics Applications

The FM10Q is an Android-based rugged vehicle-mounted computer that ships with a high performance Qualcomm Snapdragon™ 660 octa-core, 2.2 GHz CPU. The computer showcases enterprise mobility in a VMC form factor thanks to its rich I/O ports, versatile wireless connectivity options, as well as the high flexibility brought by the design of the dock with a one-click top latch, which allows for easy removal of the device. Engineered to fit seamlessly into forklifts and other warehouse vehicles with its wide range of power input with power isolation, the FM10Q will help minimize errors, streamline inventory management, and improve operational efficiencies.



Highlights

- Qualcomm Snapdragon™ 660 octa-core, 2.2 GHz CPU
- 10.4" 1024 x 768 Panel with PCAP touchscreen
- Field replaceable front panel to reduce service costs
- Magnesium alloy housing
- Built-in Wi-Fi and Bluetooth 5.0
- IP65 waterproof and dustproof
- Wide range -30°C to 50°C operating temperature

Model Number	4G	High Brightness Panel	Heater
FM10Q	N/A	N/A	N/A
FM10Q-LA	4G LTE	N/A	N/A
FM10Q-HB	N/A	Yes	N/A
FM10Q-LAHB	4G LTE	Yes	N/A
FM10Q-T	N/A	N/A	Yes
FM10Q-LAT	4G LTE	N/A	Yes
FM10Q-HBT	N/A	Yes	Yes
FM10Q-LAHBT	4G LTE	Yes	Yes

*Brightness will be reduced if the heater is added.

FM10Q, 10.4-inch Vehicle Mounted Computer

A Rugged Vehicle Mounted Computer for Data Collection in Warehouse and Logistics Applications

Display Specification

Size	10.4-inch display (4:3)
Resolution	1024 x 768
Brightness	400 nits (Optional 800 nits)
Touch	Projected capacitive (PCAP) multi-touch
Contrast Ratio	1200:1
Viewing Angle	88/88/88/88
Sensor	•G-Sensor •Temp. Sensor

System Specification

Processor	Qualcomm Snapdragon™ 660 octa-core, 2.2 GHz
System Memory	3GB LPDDR4 ¹
Storage	32GB eMMC Additional storage with Micro SD card slot
Operating System	Android 9.0

Wireless Communication

WLAN	802.11 a/b/g/n/ac
Bluetooth	Bluetooth 5.0
GNSS	GPS module on Docking
WWAN	Optional 4G LTE

Interface

Computer	1 x Dual-Nano SIM Card Slot 1 x Micro SD Card Slot 1 x USB 3.0 Type C (OTG) 1 x 12V DC in power input jack
Docking	2 x COM 1 x DB9 Connector for 2 x USB 2.0 Port 1 x CANBus or 1 x Audio ² 1 x Gigabit LAN port 1 x Power connector 5 x SMA Connectors (Female) for external antennas (WLAN, GPS, WWAN)

Input

Touch	10-point PCAP multi-touch, with stylus support
Physical Buttons	1 x Power, 6 x Function keys (Programmable function key configured by Winset)

Status Indicators

LED Indicators	Wi-Fi, Bluetooth, UPS battery, HDD, Screen Blanking, Heater ³
----------------	---

Audio

Speaker	2 x 3W speaker on docking
---------	---------------------------

Cameras

Front Camera	• 2MP webcam • Reading Light
--------------	---------------------------------

Security Function

Mobile Device Management	SOTI Mobicontrol compatible ⁴
--------------------------	--

Mechanical

Dimension (W x L x H)	Computer: 268 x 214 x 35 mm (10.6 x 8.42 x 1.37 inches) ⁵ Docking: 202 x 245 x 52 mm (7.9 x 9.6 x 2.04 inches) ⁵
Weight	Computer 1.7 kg (3.75 lbs) Docking 1.6 kg (3.53 lbs)
Housing	Magnesium alloy housing
Cooling System	Fanless design

Environment

Operating Temperature	-30°C to +50°C (-22°F to +122°F)
Storage Temperature	-30°C to +50°C (-22°F to +122°F)
Humidity	5% to 90% RH, non-condensing
IP Proof	IP65 certified, dustproof and waterproof
Impact	Support EN62262 IK70 rating
Shock	MIL-STD-810G Method 516.6 Procedure I
Vibration	MIL-STD-810G Method 514.6 Procedure I
ESD	Compliant with EN 61000-4-2, enhanced ESD to ±8kV direct & ±15kV air

Power Management

Docking Power Input	10V-60V with power isolation and ignition control
Tablet Power Input	12V DC in
Battery	Integrated Li-Ion maintenance UPS with 30-min life at 0°C (32°F) ⁶

Accessories ⁷

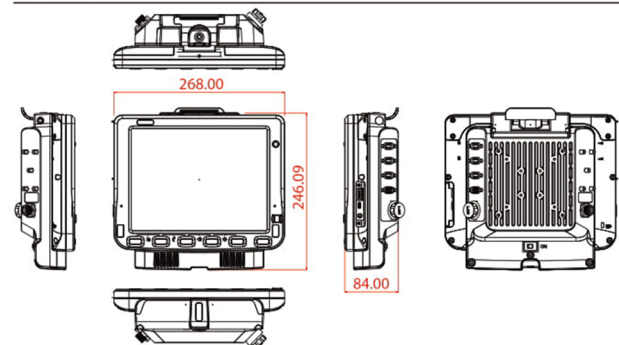
Standard Accessories

Power Cable with Fuse	98K000A0006O
84 Watt Adapter	922D084W12V1
Power Converter Cable	94J602G030K2
USB Cable	9483098080K0
Wi-Fi Antenna ⁸	39700000000G
External Antenna Fixing Bracket ⁹	88111T201203
Quick Start Guide	91521111102W
Stylus Kit	98K000A00076
Power Cord	Country Specific P/Ns

Optional Accessories

DC Power Jack Cable	94J0086020K0
RS232 Cable	94G3094090K2
Audio Cable	94E215R060K0
CANBus Cable	94E2150090K0
CANBus cable (w/o DIDO)	94E215L030K0
LAN Cable	94I0080080KF
Key for Vehicle Dock	9B000000007N
WWAN Antenna ¹⁰	39700000000H
Fuse Kit	94JL01L01000

Drawing ¹¹



6. Measured at dimming LCD brightness. Varies depending on the usage conditions, or when an external device is attached.

7. Accessories may vary depending on your configuration.

8. Two Wi-Fi antennas are included in the standard package.

9. Please order one bracket for one antenna. For example, if you plan to use two antennas, please order two brackets.

10. Notice that only one antenna is included in the package. If you plan to use WWAN function please order two WWAN antennas.

11. This is a simplified drawing and some components are not marked in detail.



Do Not Expose the Battery Pack to Excessive Heat, or Extreme Heat (Near Fire, in Direct Sunlight for example)
Do not expose bare skin to this product when handling this unit in extreme hot or cold environments

- Total usable memory will be less depending upon actual system configuration.
- CANBus and audio are mutually exclusive.
- Heater is a customized feature available by request.
- SOTI is available upon request.
- Length measurements do not include protrusions. Weight varies with options.