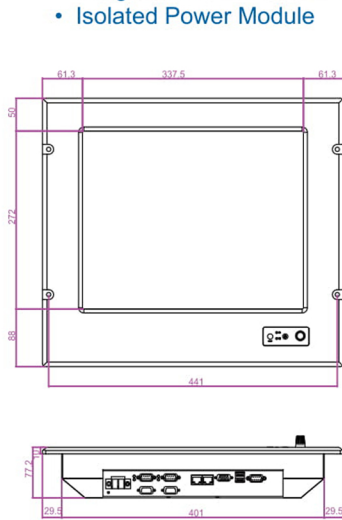


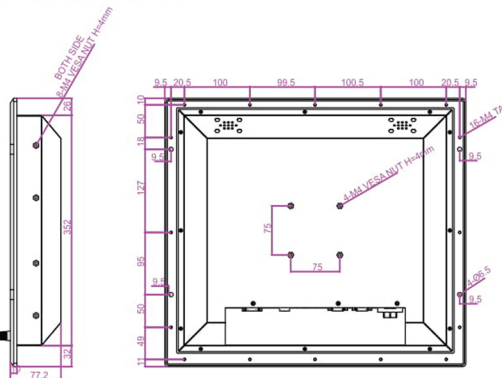


Feature

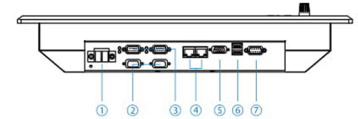
- 17" SXGA 1280 x 1024 TFT LCD
- Intel® Atom Dual Core N2600 1.6GHz Processor
- 1 x SO-DIMM, max. 4GB DDR3 800/1066
- 2 x Isolated RS422/485 (optional)
- Integrated Dual Broadcom BCM57780 GbE Controller
- Isolated Power Module



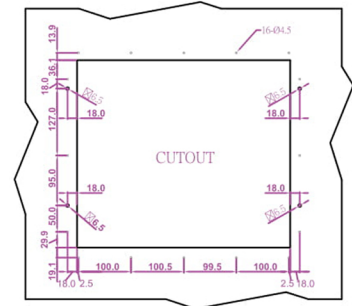
FRONT VIEW



SIDE VIEW



1. 1 x 9-36V DC input
2. 2 x RS232
3. 2 x Isolation-RS422/485 (optional)
4. 2 x RJ45
5. 1 x VGA out put
6. 2 x USB
7. 1 x RS232/422/485



CUT OUT DIMENSION

* Note: this is a simplified drawing and some components are not marked in detail. *Please contact our sales representative if you need further product information.

TFT Characteristics :

| | |
|---------------------|-----------------------------|
| Pixel Number | : 1280 x 1024 |
| Pixel Pitch(R&B) | : 0.264 (H) x 0.264 (V) mm |
| Contrast Ratio | : 1000:1(typ.) |
| Panel Brightness | : 350cd/m2 (typ.) |
| Viewable Angle | : -85 ~ 85(H) ; -80 ~ 80(V) |
| Active Display Area | : 337 (H) x 270 (V) mm |
| Max Colors | : 16.7 (M) / 6 bit / colors |

Mechanical and Environmental

| | |
|-----------------------|--|
| Mechanical Mounting | : Panel (Flush) mount with IP66*, VESA, Bracket mounting |
| Operating Temperature | : -15 to 55 deg.C |
| Operating Humidity | : 5% to 95%(non condensing) |
| Anti-Vibration | : 5Hz~500Hz / 1Grms / 3 Axis |
| Anti-Shock | : 15G,11ms duration |

SBC Specifications :

| | |
|-----------------|--|
| Processor | : Intel® Atom Dual Core N2600 1.6GHz |
| BIOS | : AMI 4Mbit Flash |
| System Chipset | : Intel® NM10 express chipset |
| Memory Slot | : 1 x DDR3 800/1066MHz SODIMM,(Max 4GB) |
| Graphic Chipset | : Intel® Graphic Accelerator 3650 |
| Storage | : 1 x SATA2, 1 x Mini PCIe slot (mSATA SSD) |
| Ethernet | : 2x RJ-45(1000 Gigabit Ethernet Compatible) |
| VGA | : 1x VGA Connector |
| Audio | : Realtek ALC886 HD Audio Codec |
| USB Ports | : 6 x USB 2.0 (4 x USB by pin-header) |
| Serial Ports | : 4 x RS232, 1 x RS232/422/485 |
| DVI | : 1 x DVI by 2x10 DB-13 wafer connector |

Input / Output Connectors

| | |
|--------------------|---|
| Ethernet LAN | : 2 x RJ45-10/100/1000 Mbps |
| COM | : 2 x RS232, 1 x RS232/422/485 |
| Isolated RS422/485 | : 2 x Isolated RS422/485 COM (optional) |
| USB | : 2 x USB Type-A receptable |
| VGA output | : 1 x VGA 15P D-SUB (female) |
| DC Power | : 1 x DC Terminal block |

Available Options

| | |
|-------------------------|--|
| Touch Screen Options | : 5 Wire Resistive |
| AR Safety Glass Options | : 3mm Anti-reflective protection glass |
| Bracket Stand options | : Yes(One robust bracket can adjust from -10 to 30 deg.) |
| Secondary SSD | : up to 256 GB mSATA SSD |

Power Specifications :

| | |
|----------------------|---|
| Power Supply Options | : 9 to 36 V DC power supply with Terminal block (Default) |
| Power Consumption | : 110 W typical, normal operation |
| External Adapter | : 110~230V Ac-in Power Adapter |

Certification and Approvals

• CE, FCC, DNV2.4



Note: All Specifications are subject to change without prior notice!

Revised Date : 18-Nov-2019 V1.2